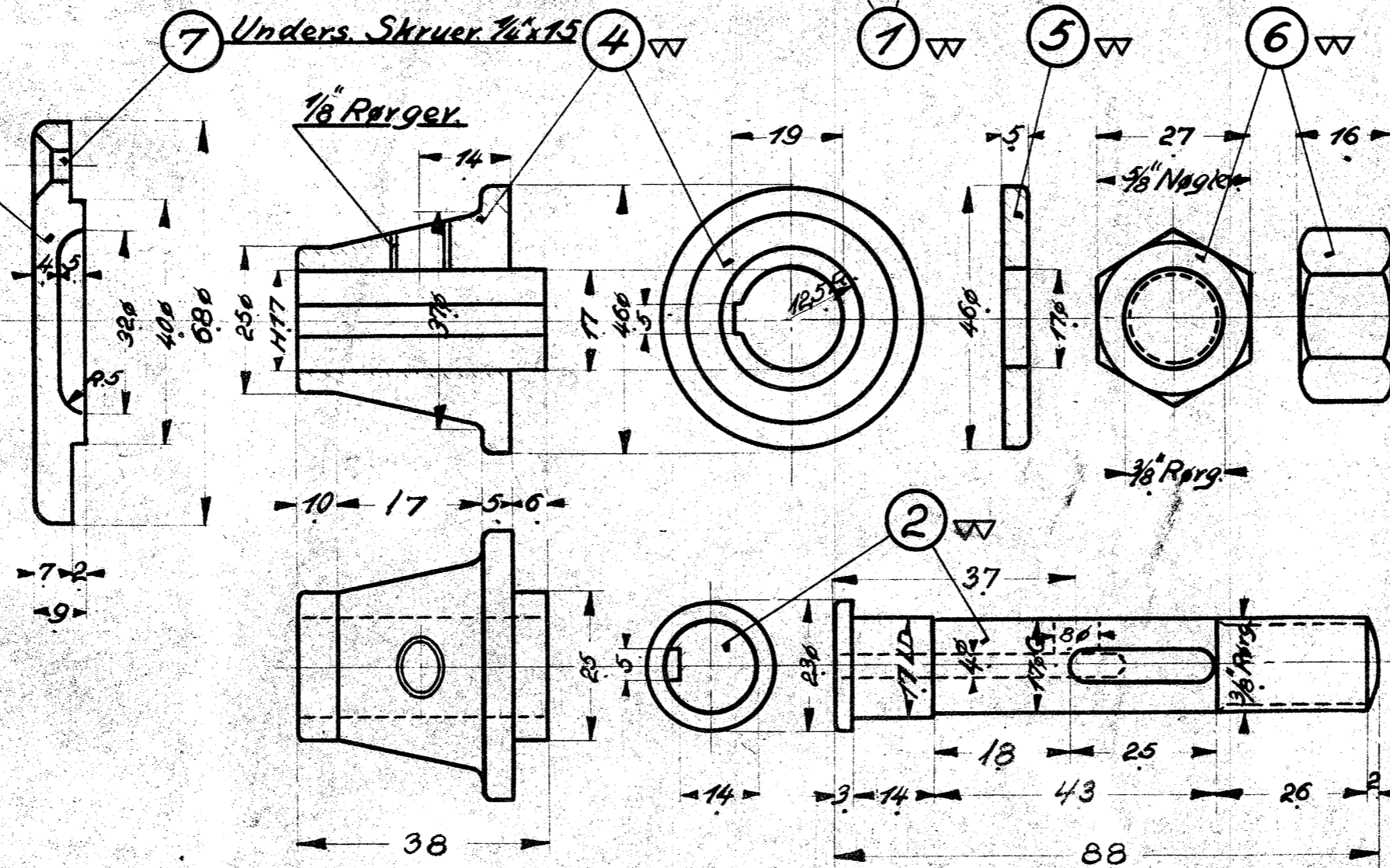
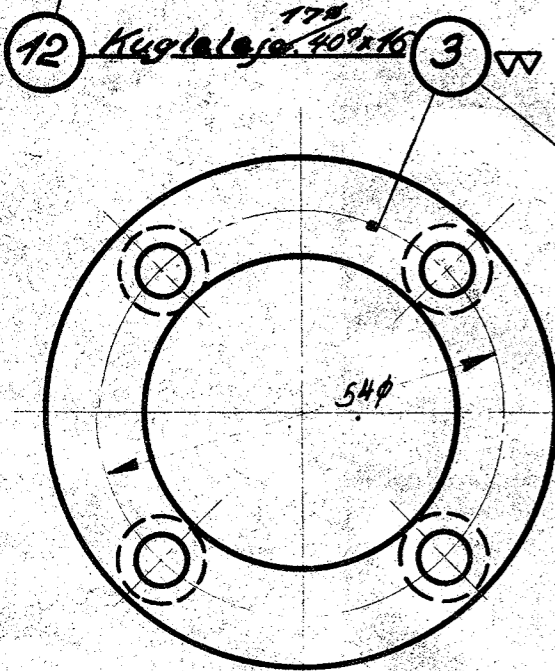


Stål. N^o. 65175

1	1	Snorskive.	Flussj. Afbr.	125φ x 25
2	1	Bolt.	" "	25φ x 100
3	1	Lejedæksel.	" "	70φ x 15
4	1	Afstandsskive.	" "	50φ x 50
5	1	Spændeskive.	" "	50φ x 10
6	1	Møtrik.	" "	5/8" 9kt.-25
7	4	Skrue unders. 1/4" x 15	" Bl.	Magasin.
8	1	Stauer No. 2	Støbej.	"
9	1	Muffe 1/4" x 1/8"	Flussj.	"
10	1	Rør 1/8" x	"	1/8" x
11	1	Not 5x5x25	Flussj.	"
12	1	Kugleleje 17φ/40φ x 16	St.	Fischer. Best. No. 3203b.

Teg. 145L-27.243.



A/s FRICHS AARHUS		
Remstrammer for Lademaskine		
Diesel-el 115-125HK. Rangerloko.		
AE		
20-10-37	1:1	145L-27.246