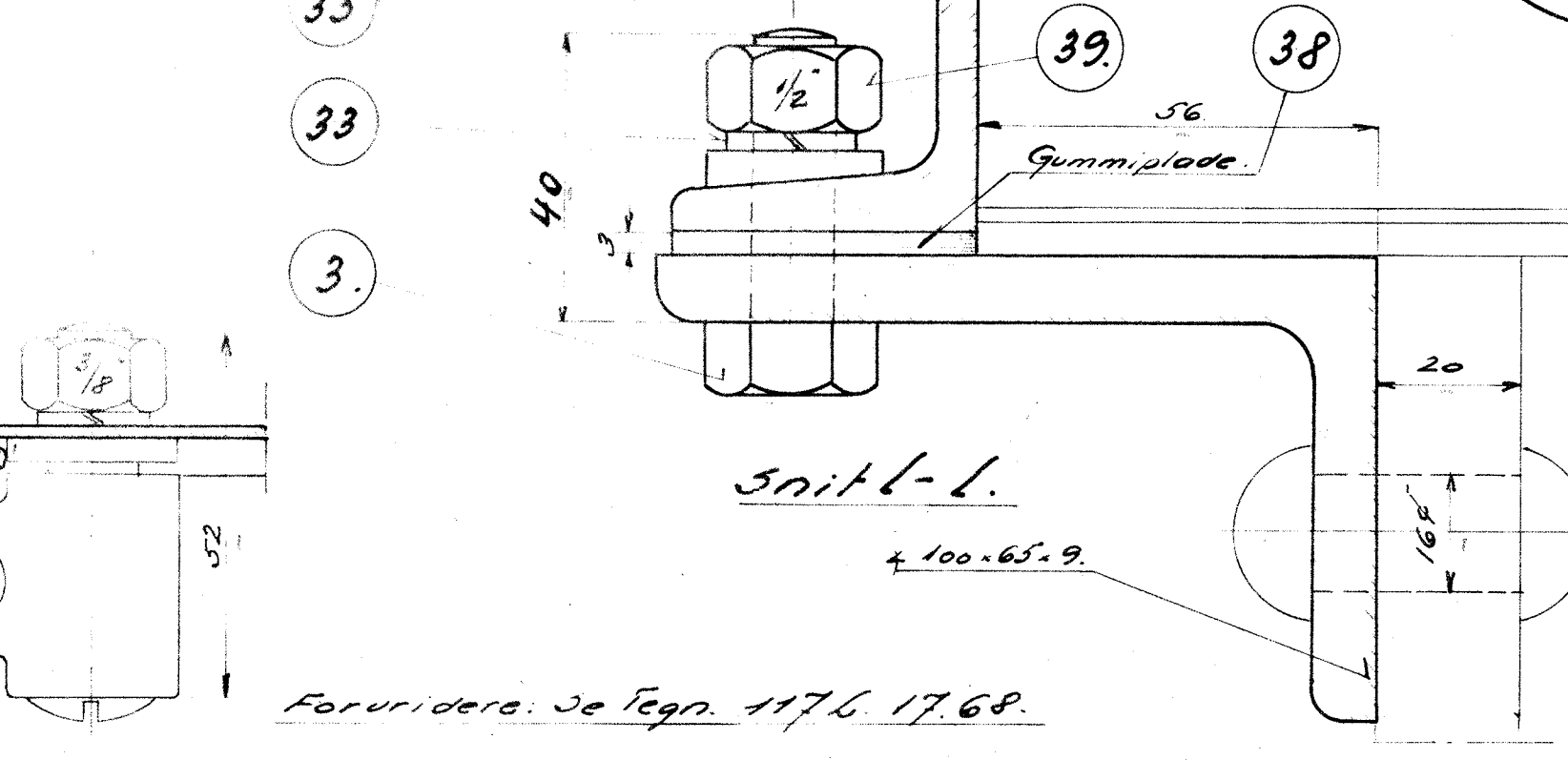
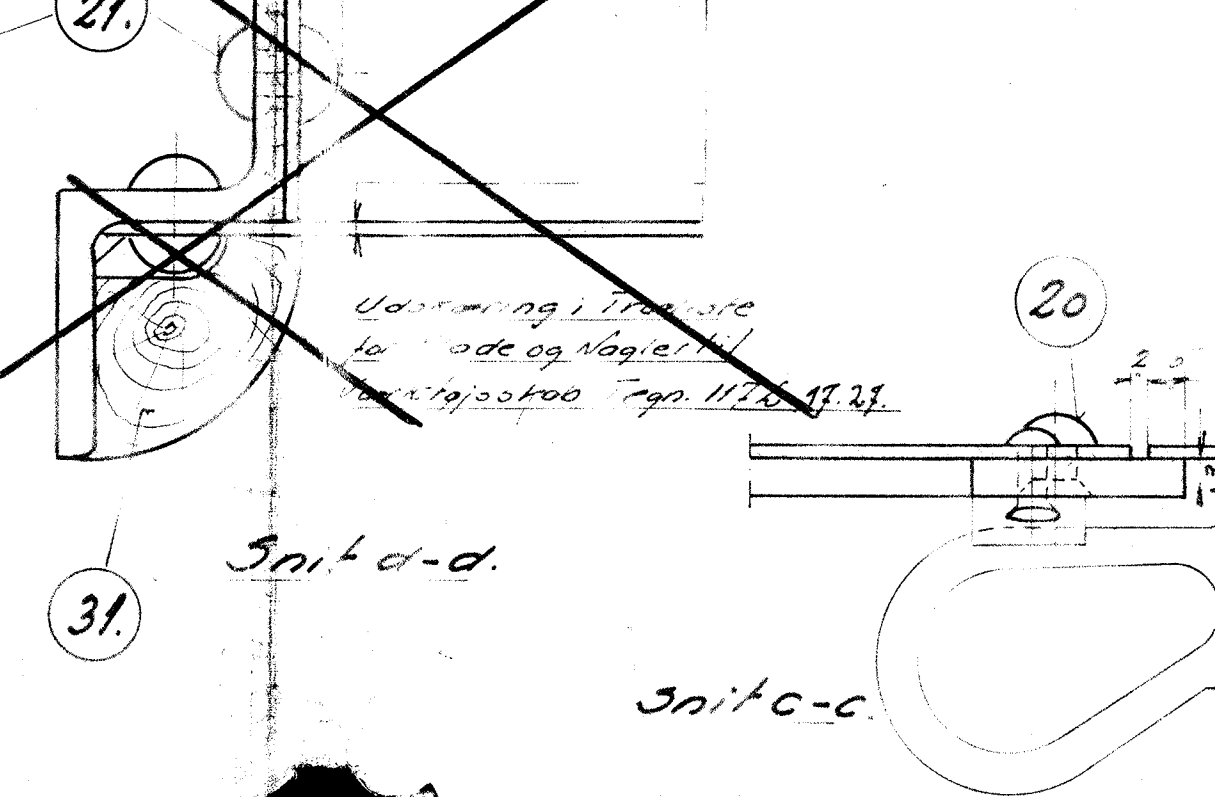
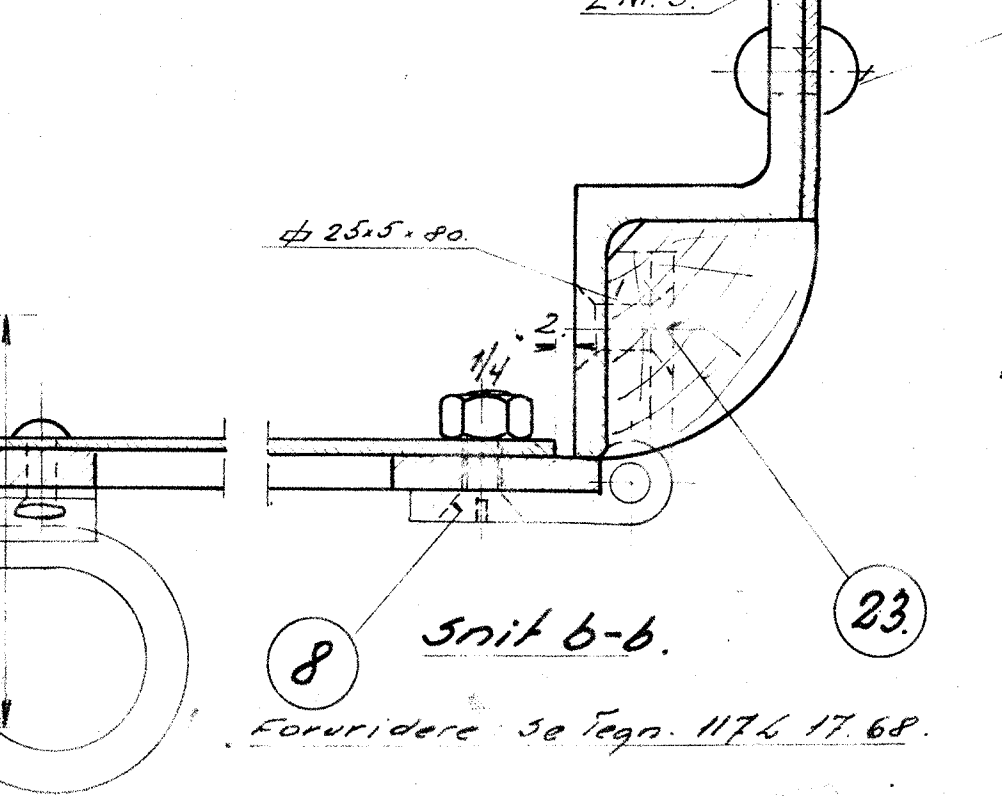
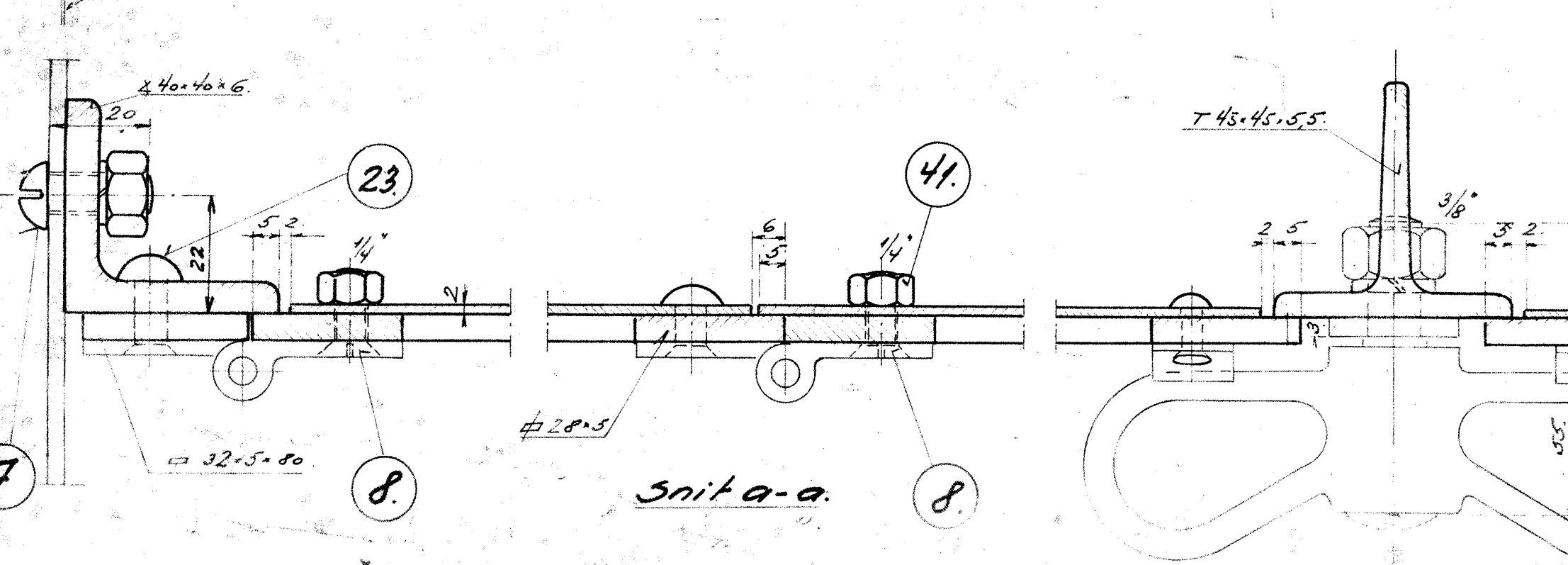
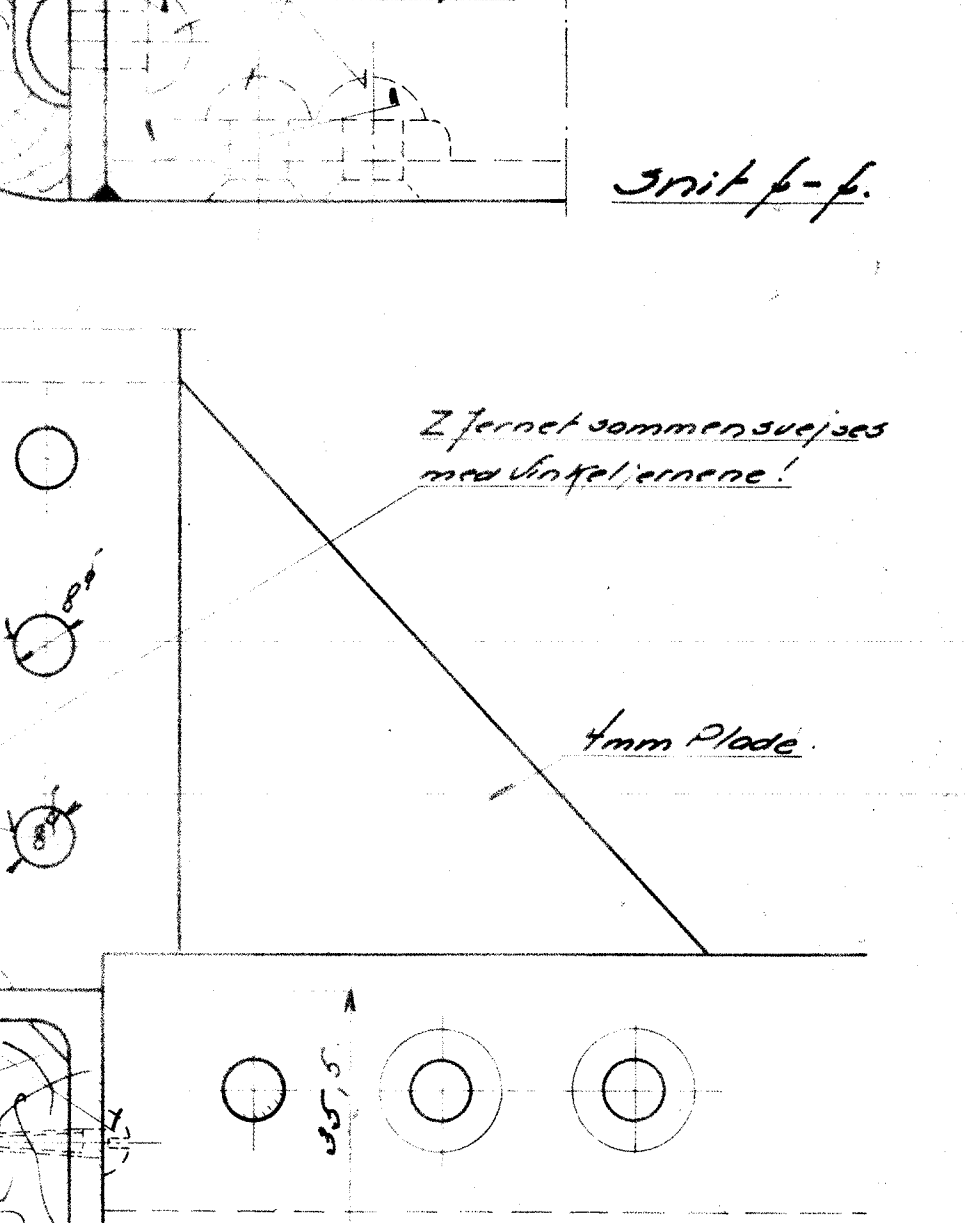
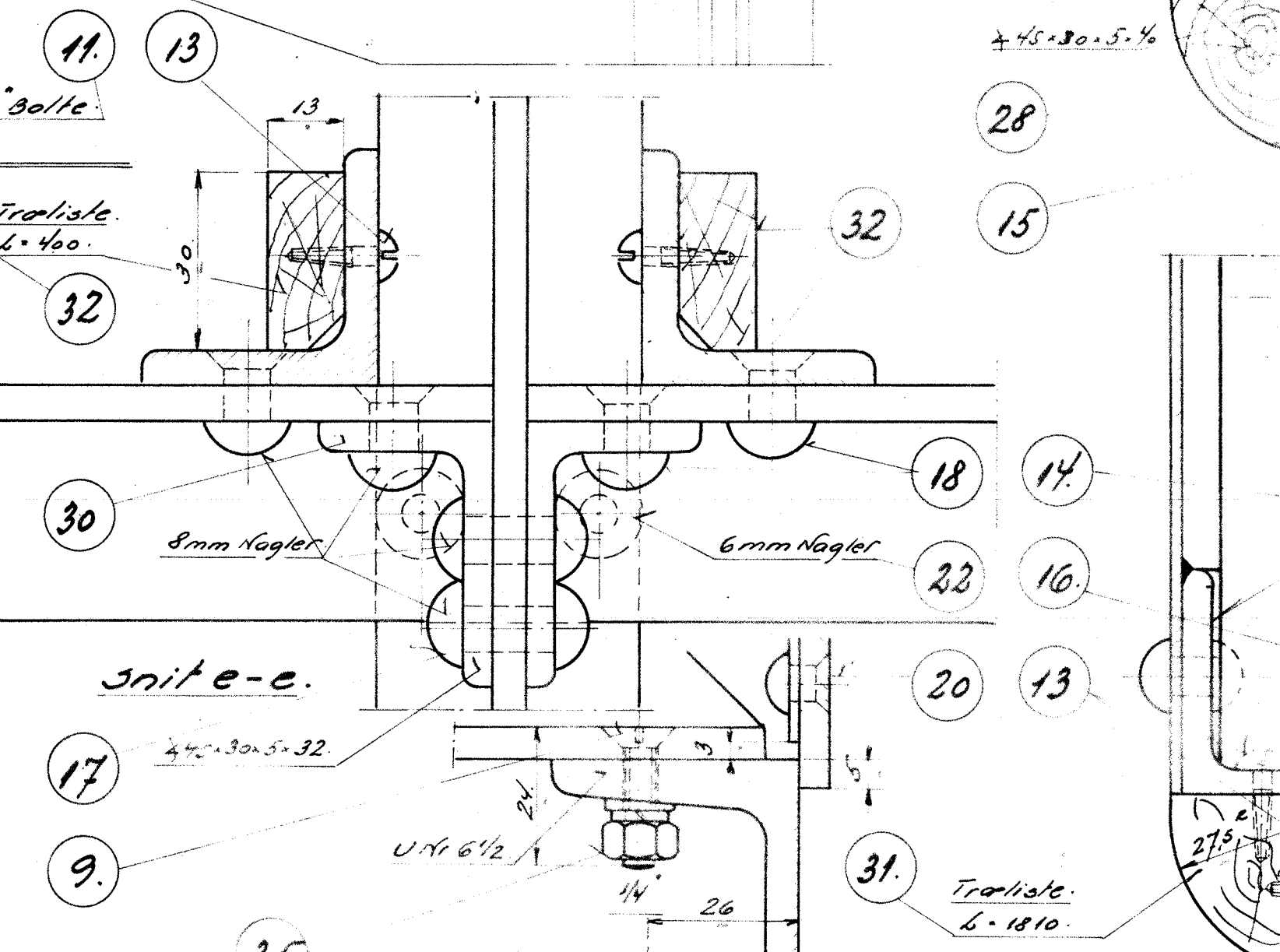
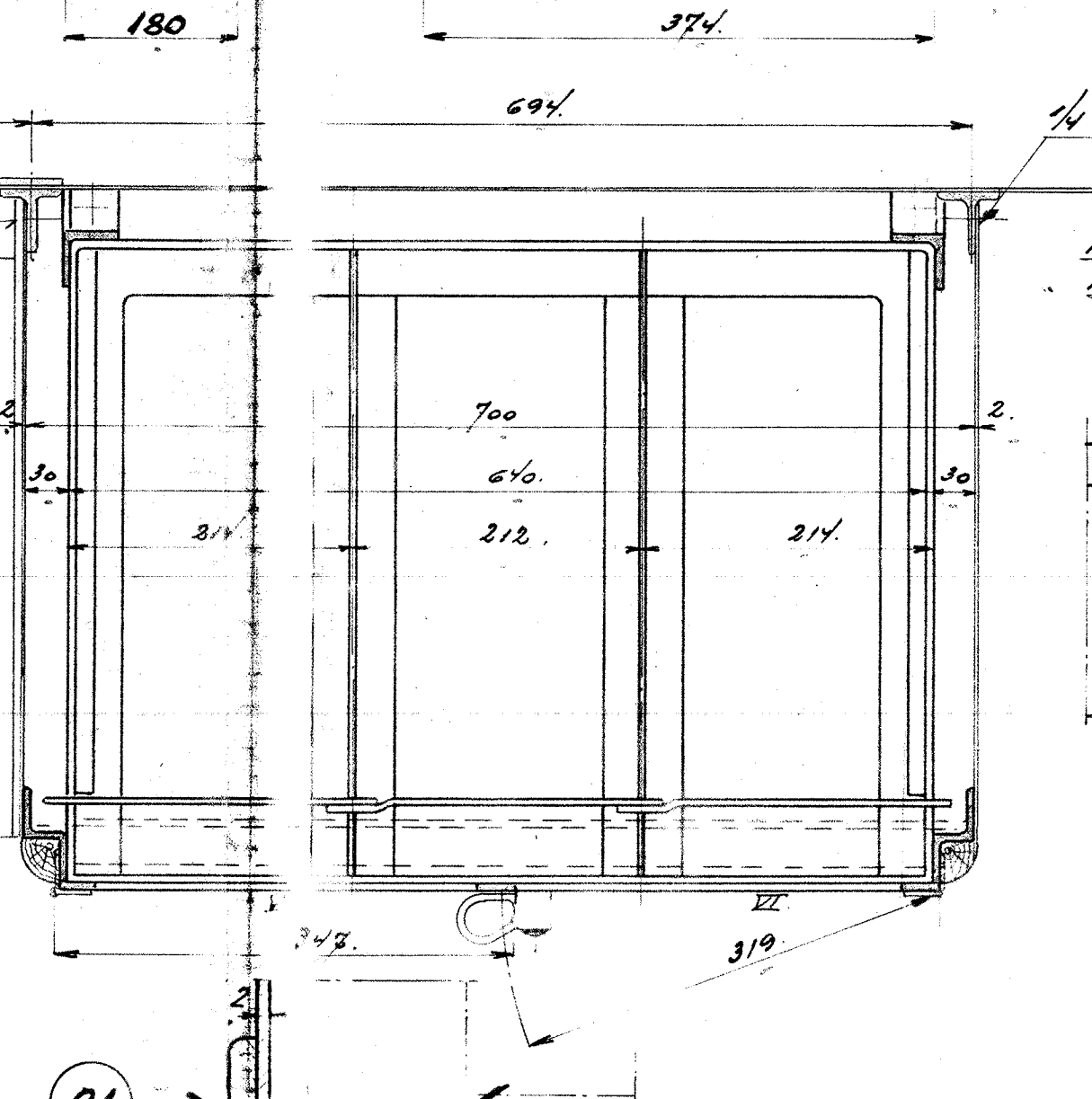
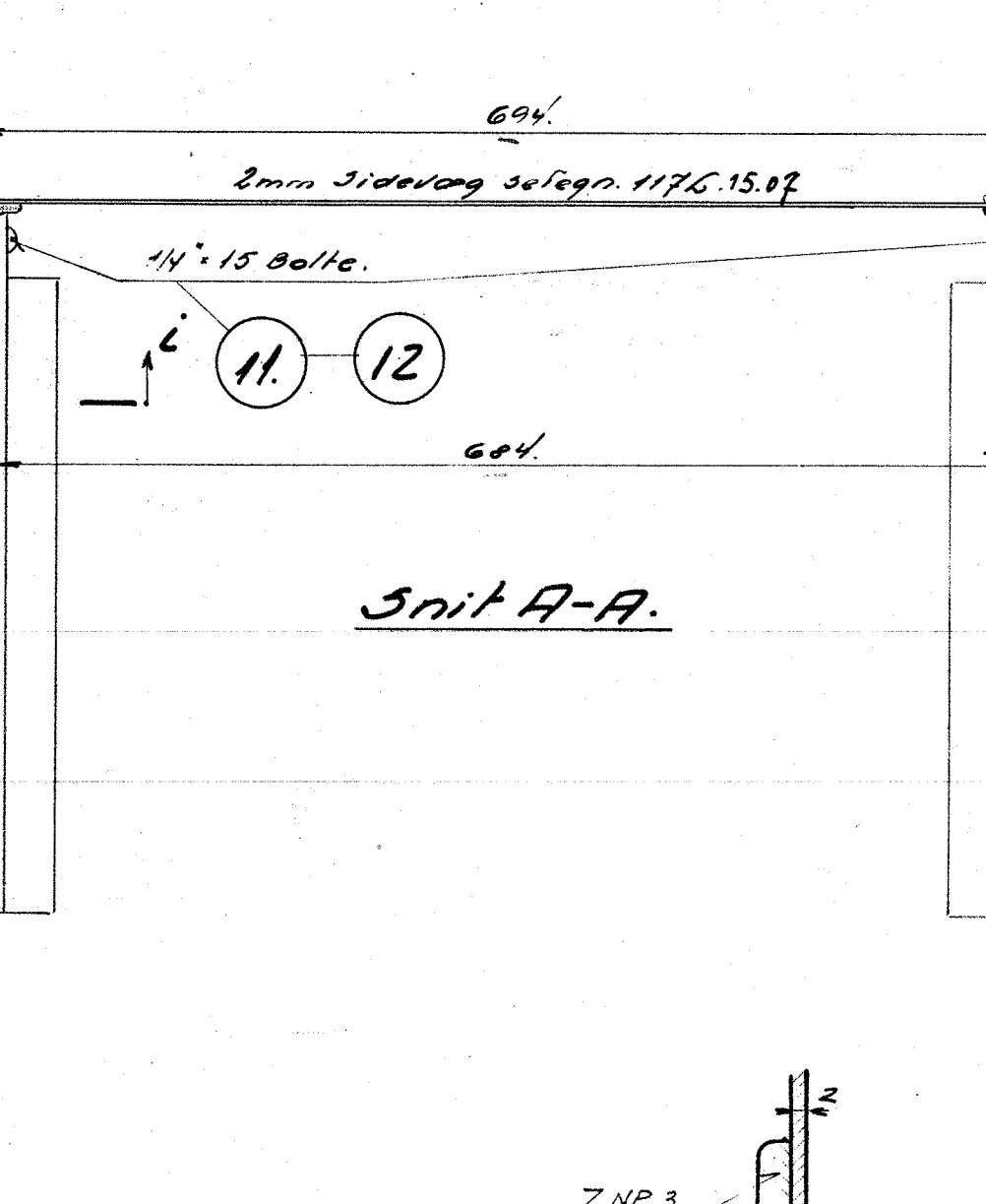
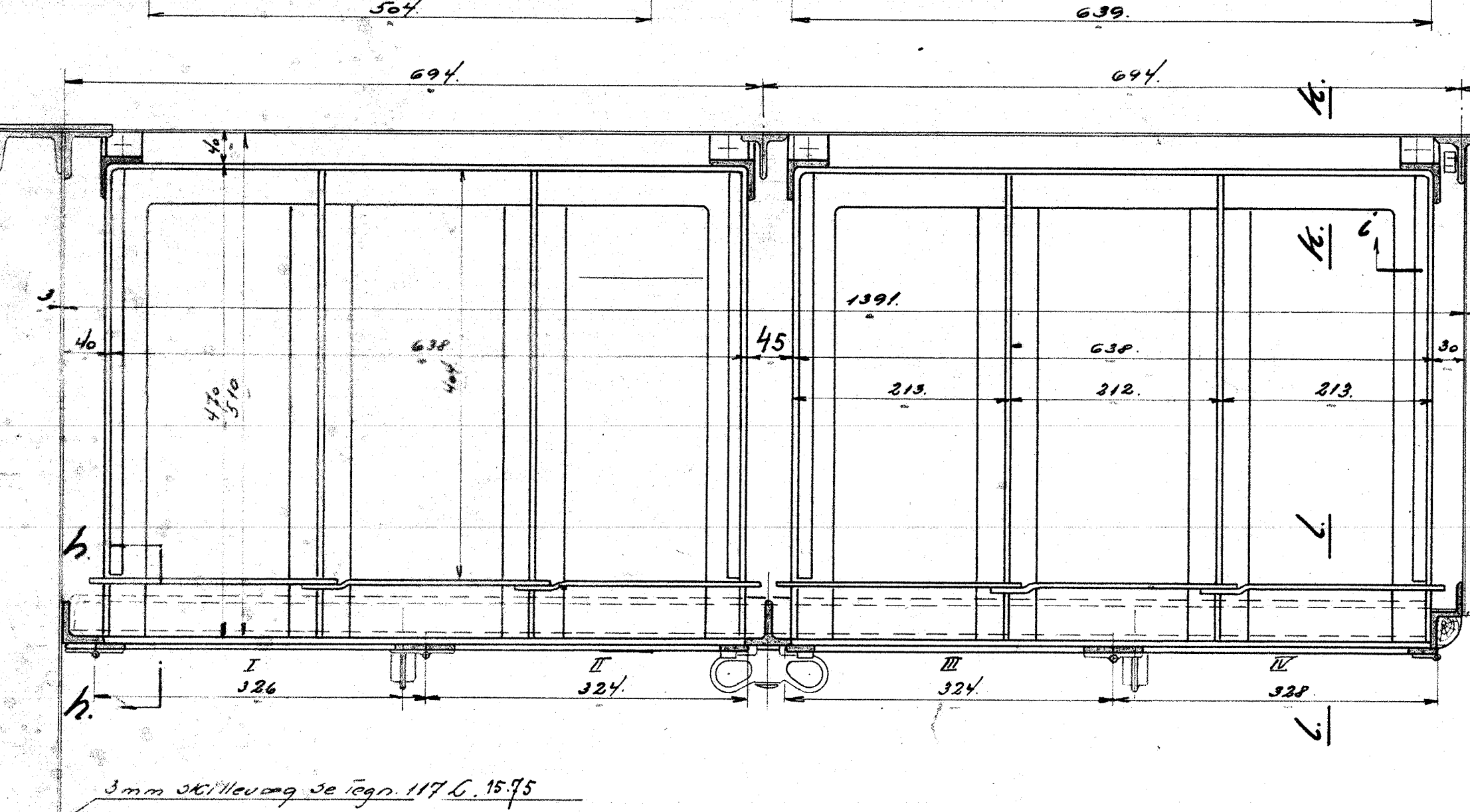


51790-51798 51798

1	6	Bolt 1/2" .30	Tegn 1176.29.96	2
2	6	do 1/2" .34		1
3	13	do 1/2" .40		3
4	6	do 1/2" .32		4
5	5	do 1/4" .22		7
6		do 1/4" .16		1
7	19	do 5/16" .20		1
8	54	do 1/4" .17		1
9	18	do 1/4" .24		1
10	12	do 1/4" .22		1
11	57	do 1/4" .16		1
12	2	do 1/4" .22		1
13	125	Træskruer No 10 x 16		1
14	27	Nagler 8 x 18		1
15	10	do 8 x 18		1
16	8	do 8 x 20		1
17	4	do 8 x 24		1
18	42	do 8 x 20		1
19	6	do 8 x 25		1
20	250	do 6 x 13		1
21	125	do 6 x 13		1
22	4	do 6 x 18		1
23	36	do 6 x 20		1
24	18	do 6 x 16		1
25	30	do 4 x 14		1
26	6	Vinkelbaste 60 x 40 x 5 x 24		1
27	2	do 45 x 30 x 5 x 32		1
28	3	do 45 x 30 x 5 x 40		1
29	1	Underlag 45 x 30 x 5 x 32		1
30	4	Vinkelbaste 45 x 30 x 5 x 32		1
31	3	Træliste 117 L 15.75		1
32	18	do 13 x 30 x 400		1
33	31	Federstave 1/2"		1
34	19	do 5/16"		1
35	24	do 1/4"		1
36	6	Underlagskæde 1/2"		1
37	18	do 1/4"		1
38	20	Gummistriber 65 x 4		1
39	31	Træliste 1/2"		1
40	19	do 5/16"		1
41	14	do 1/4"		1



Set fra H. Tappladen af loget  
 Dele til Batterikab Tegn 1176.26.84

**Batterikab.**  
 Diesel 125 Hk Motor 1000  
 mm 1.5  
 12.5-32.117 1176-26.85