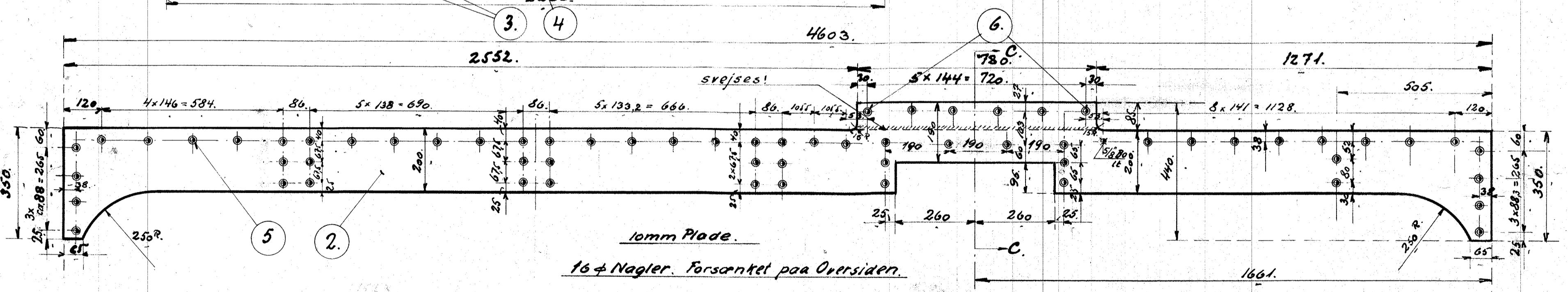
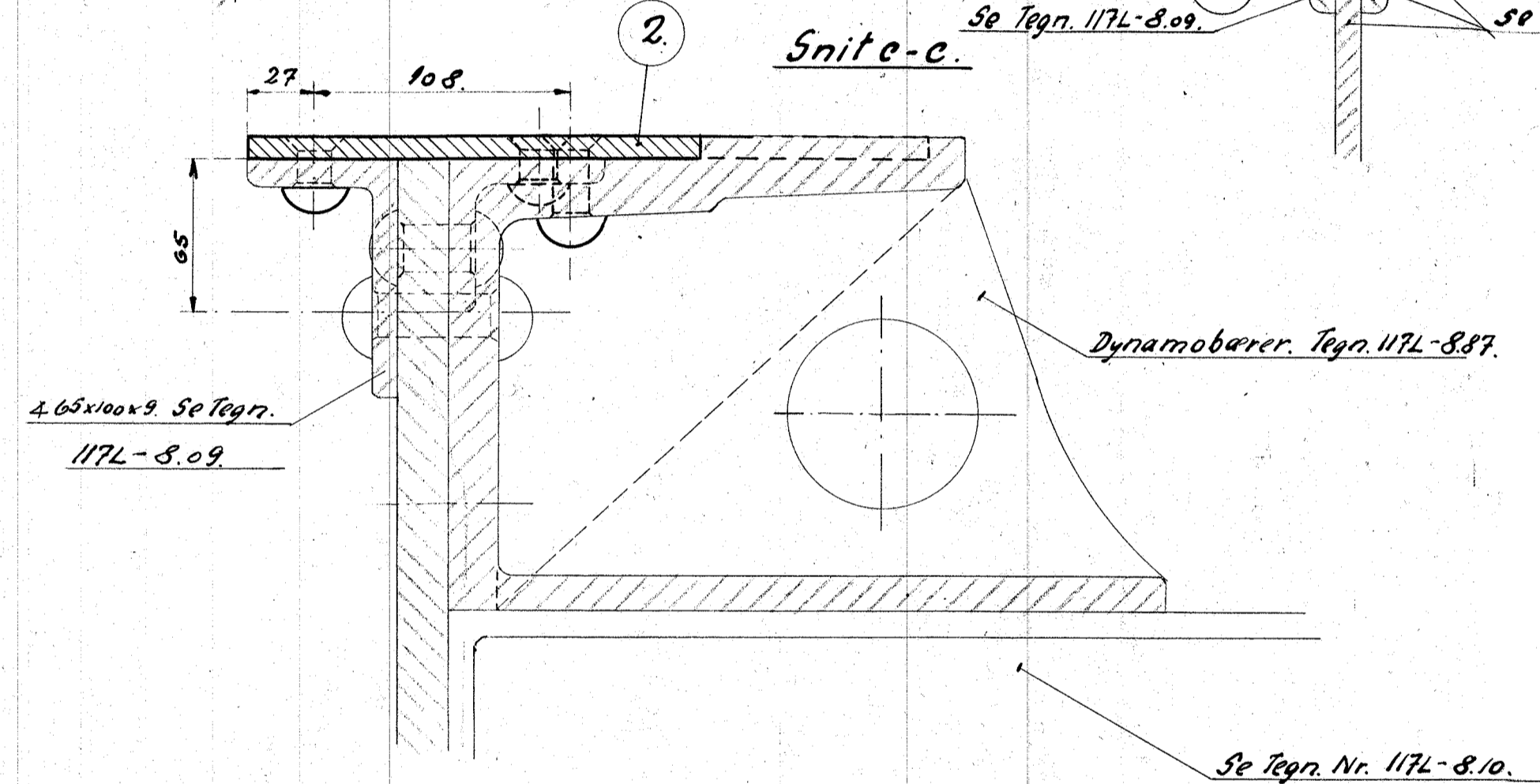
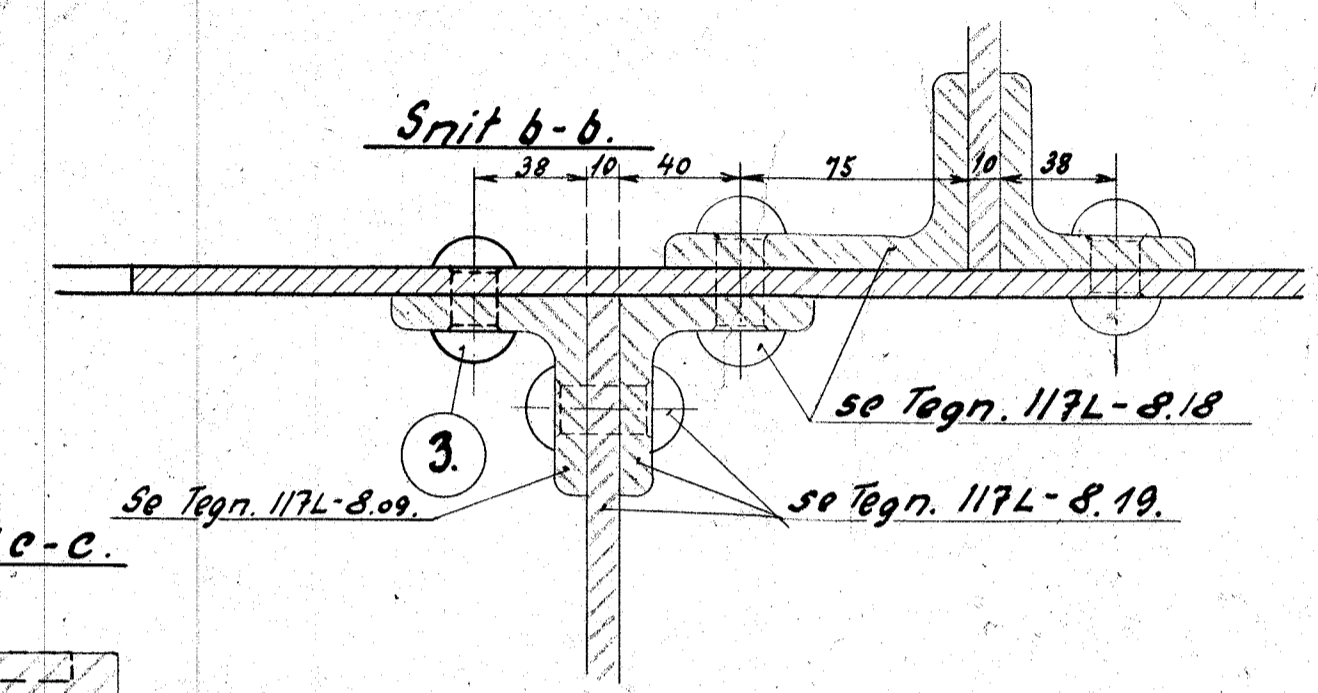
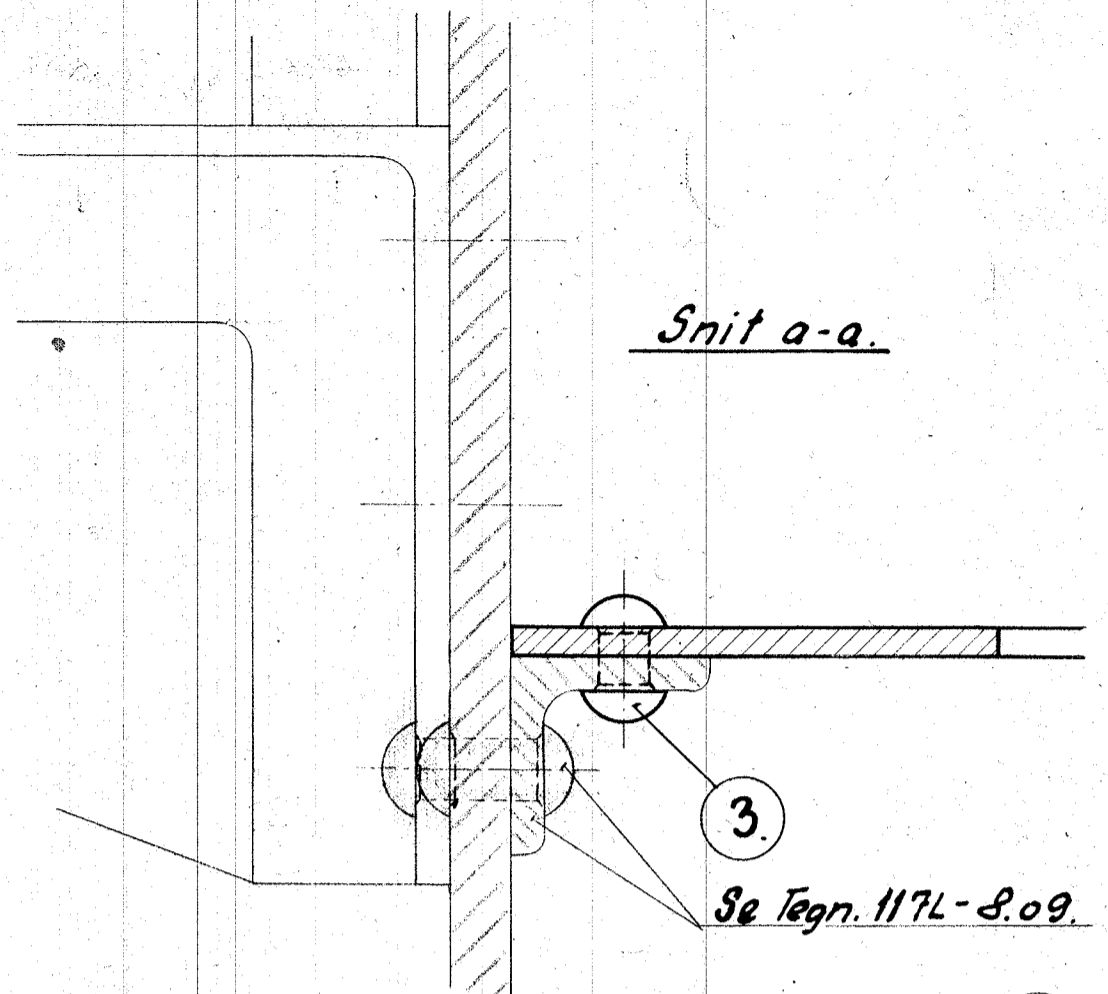
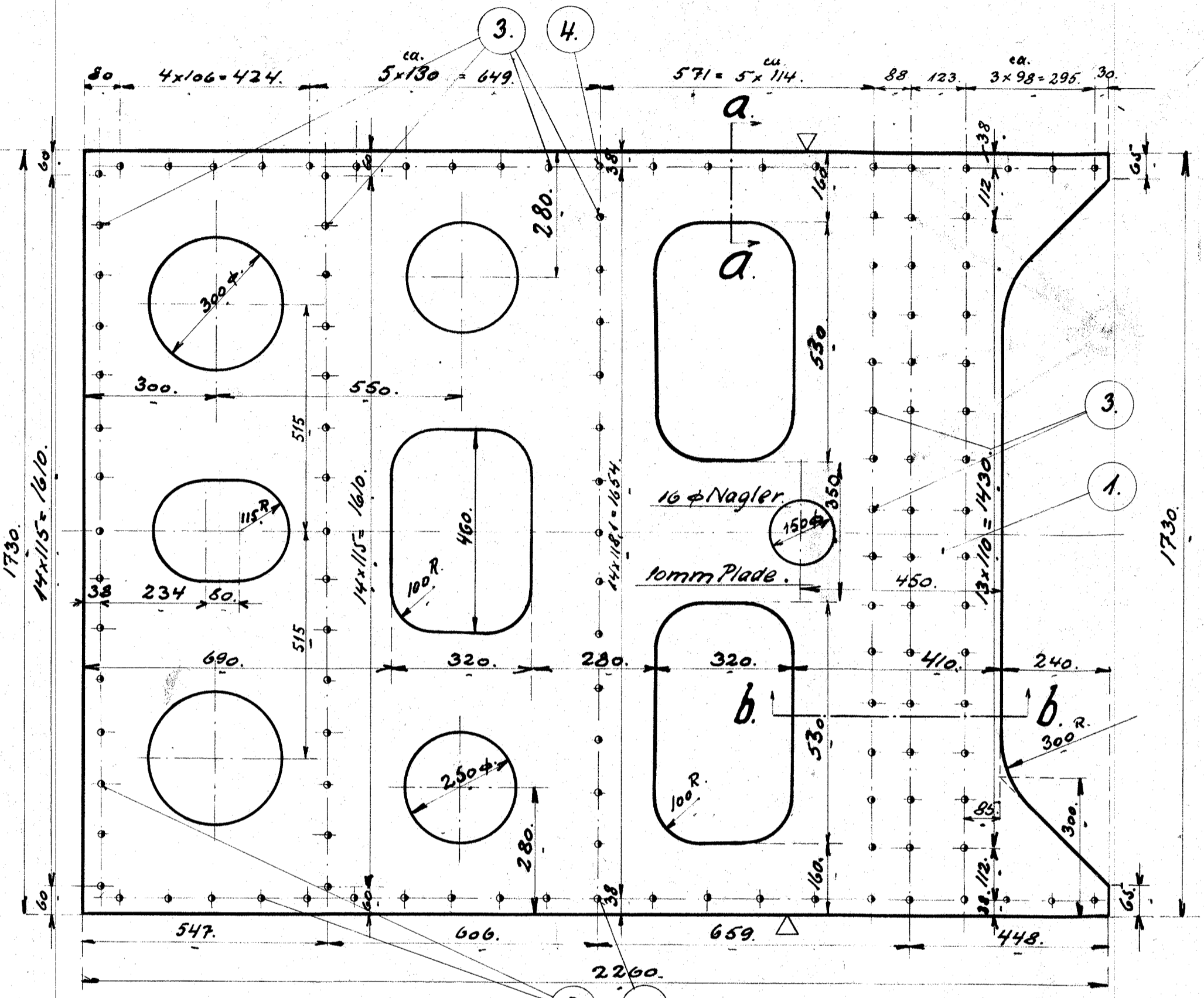


1.	1.	Afstivningsplade.	Flussj.	228x170x10	
2.	2.	do.		4625x330x10	
3.	98	Nagler	16+ x 46.	Nittej.	Dist.
4.	2.	do.	16+ x 58.	-	---
5.	100	do.	16+ x 38.	-	---
6.	12	do.	16+ x 36.	-	---



Langdeafstivninger		
Diesel-el 375 HK Motorloko		
Jul.		
Jul.		
Helt	1:10	117L-8.16
23/1-32.	1:2.5	