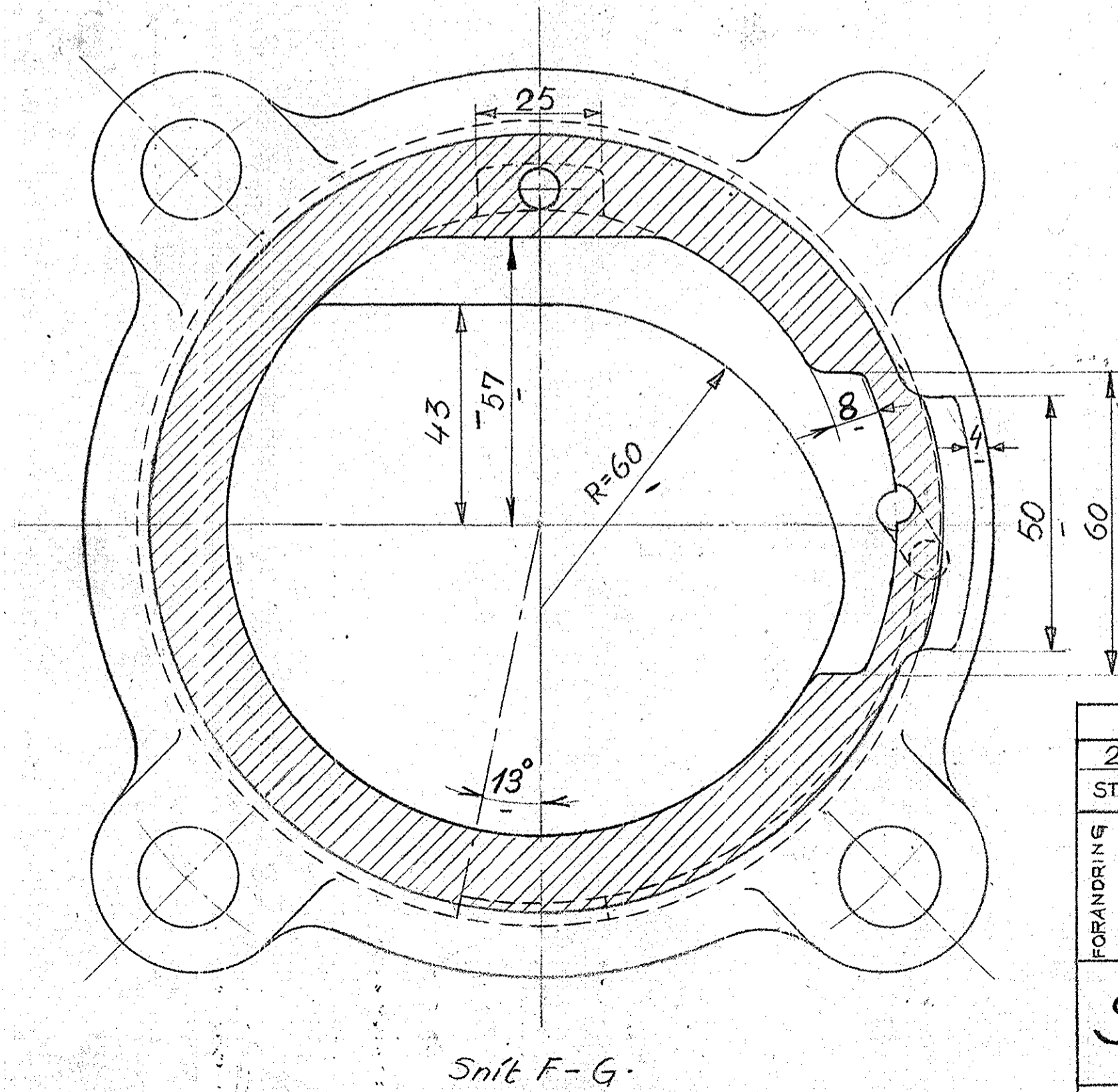
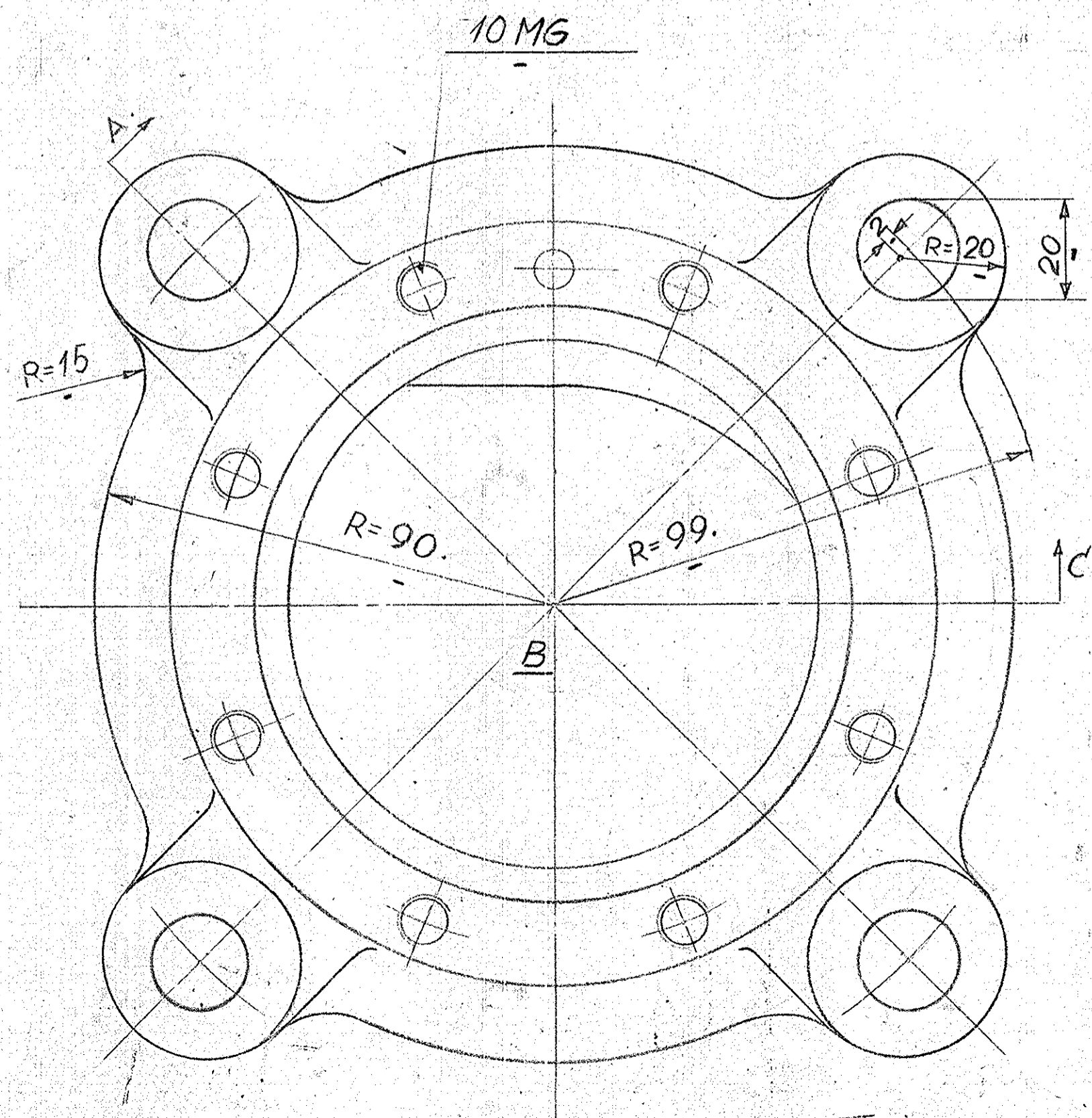
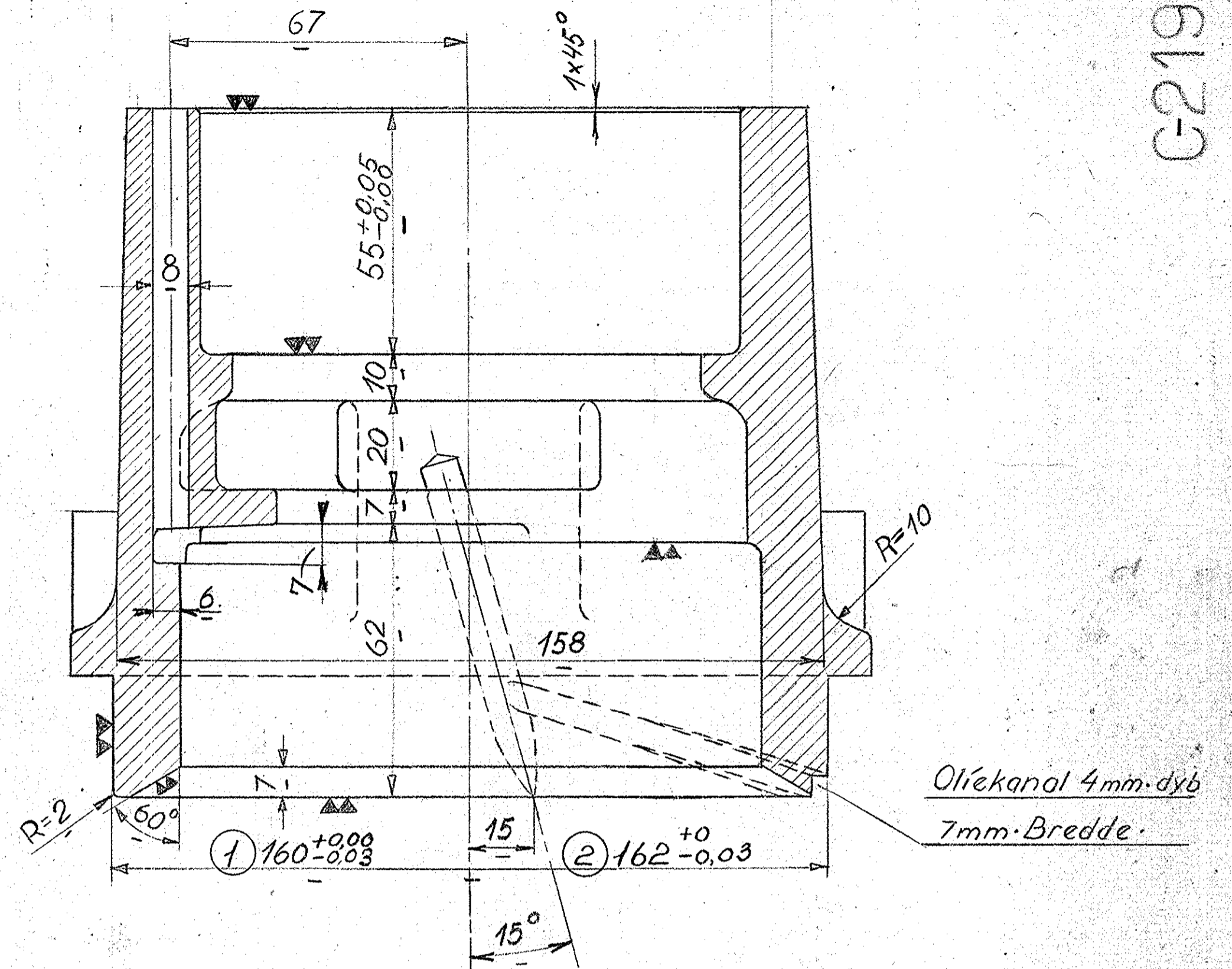
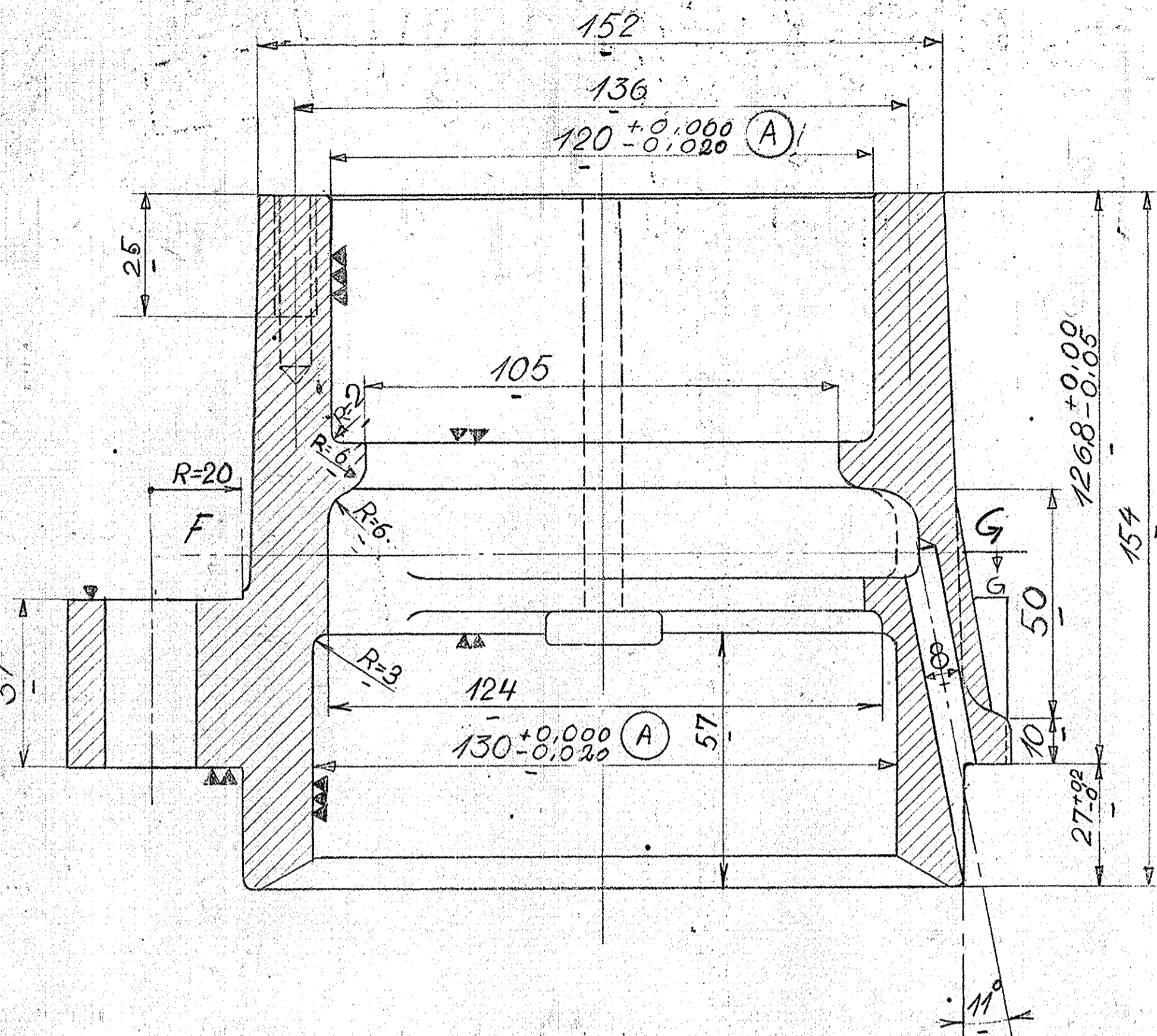


Snit A-B-C



	Pinionhus, overstørrelse	2				
2	Pinionhus, normalt	1	St-G 458	C-21908	14.5	
STK	GENSTAND	NR	TEGN-NR	MATERIALE	MODEL-NR	KG
FORANDRING	1/4-50 VAR +0.025/-0.014 (A)					
Scandia - Randers			MAALESTOK	TEGN	2/3 46	MARK
Pinionhus			1:1	KONF.	-	JK
Skinnebus				KALK.		
					C-21908	

C-21908