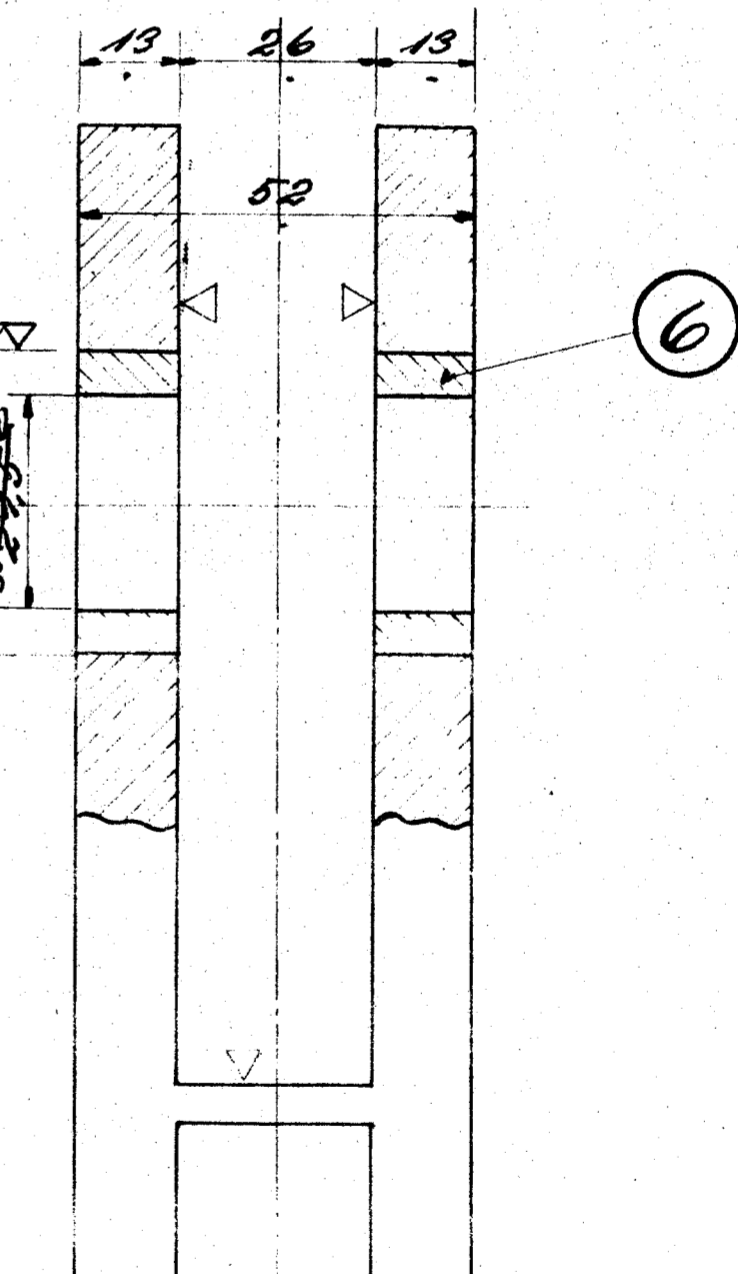
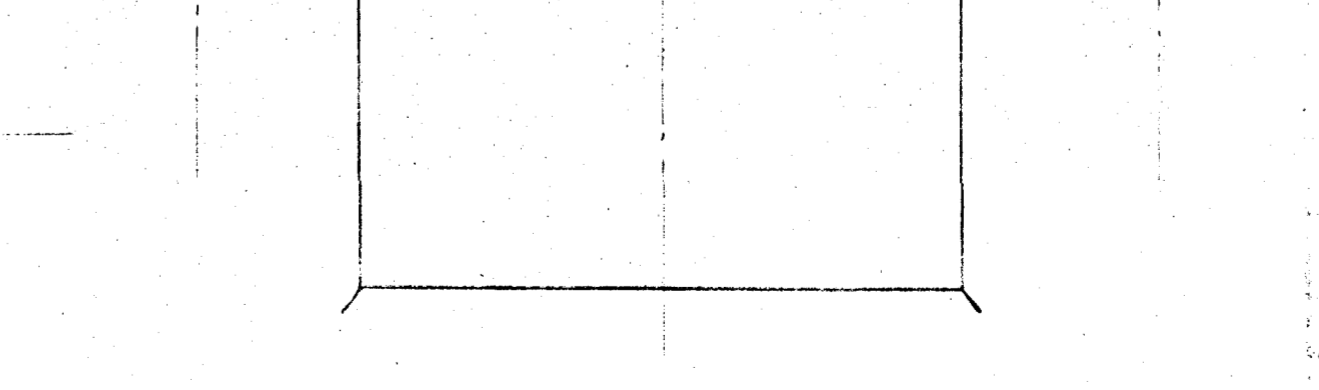
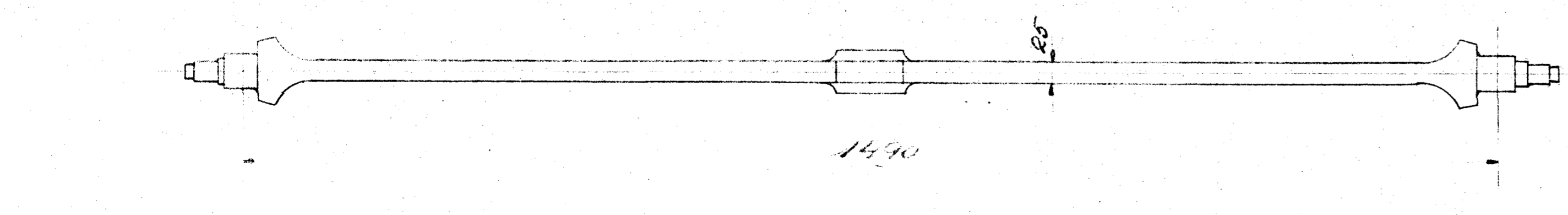
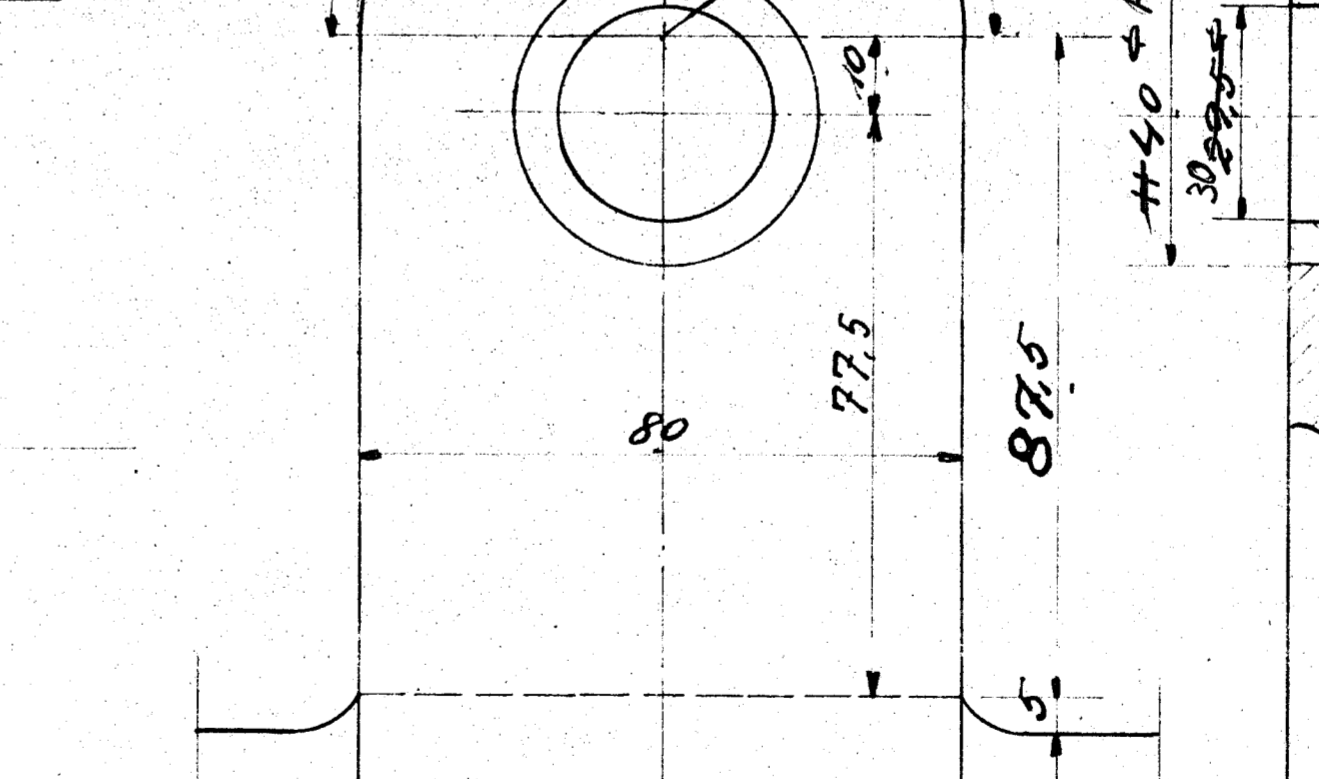
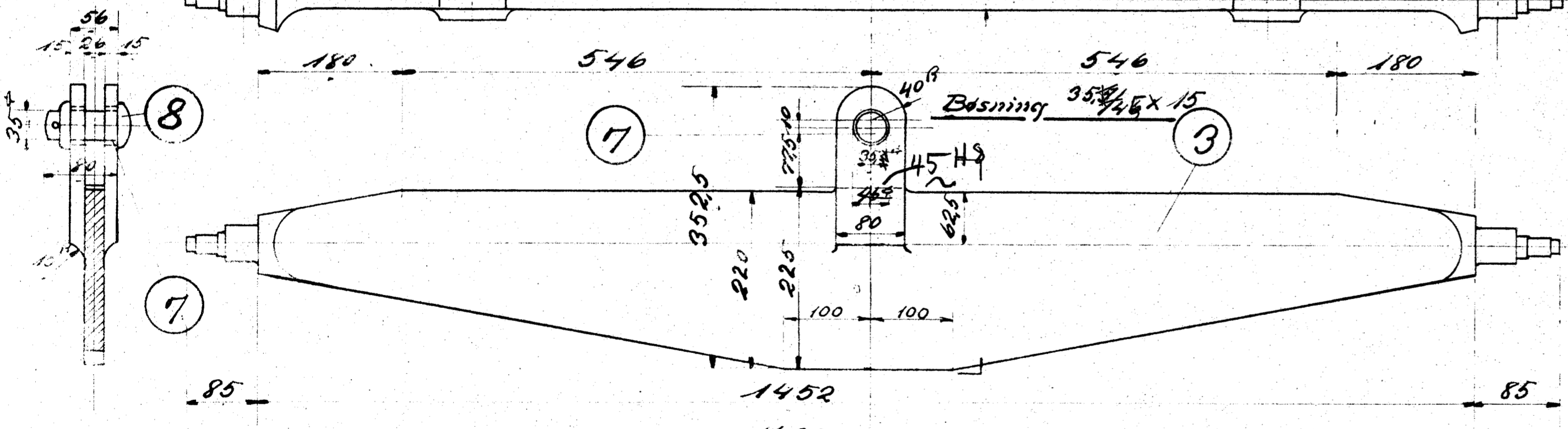
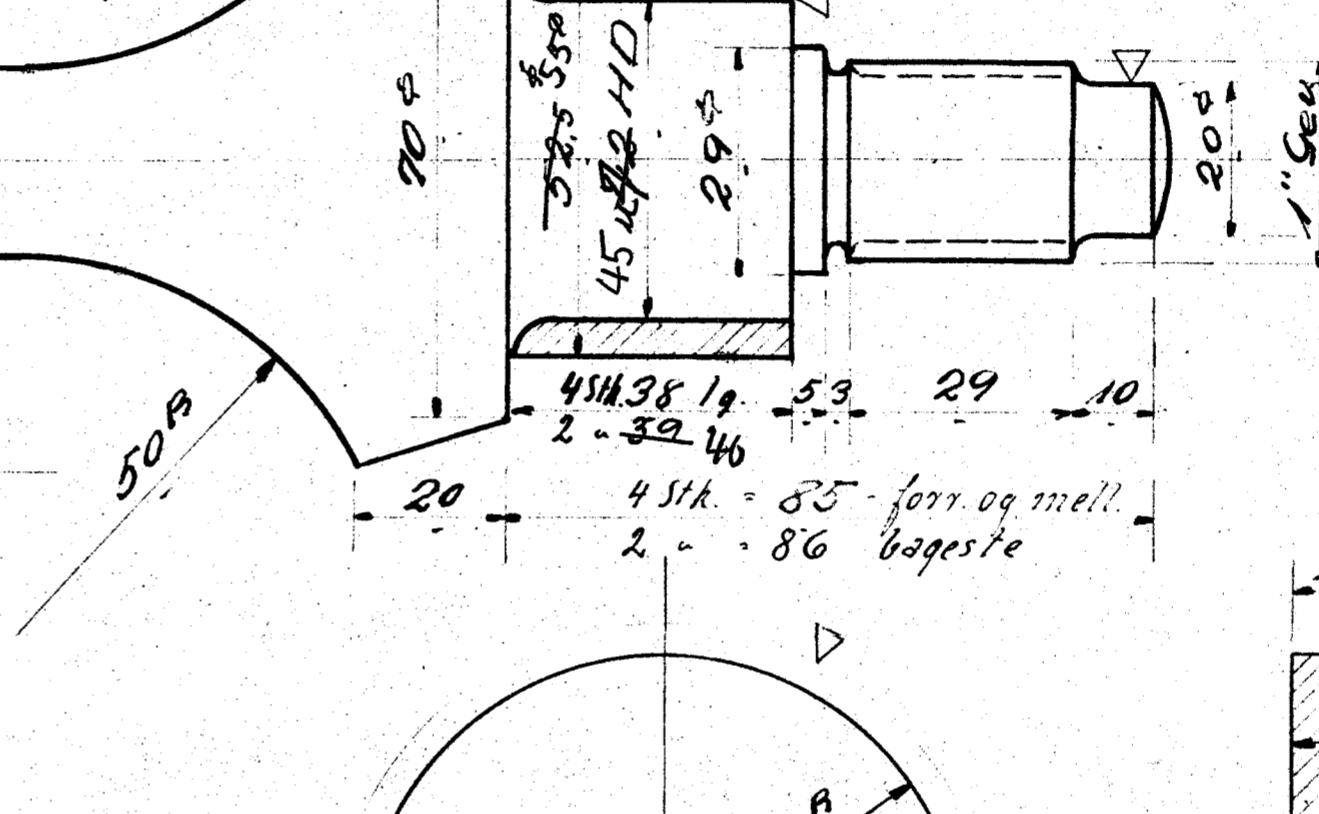
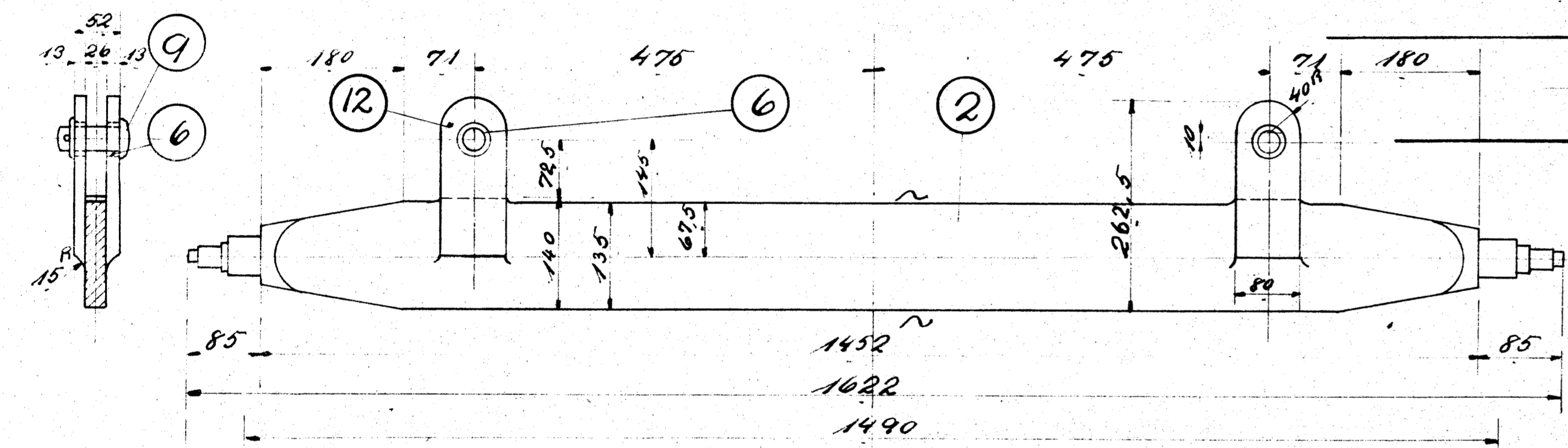
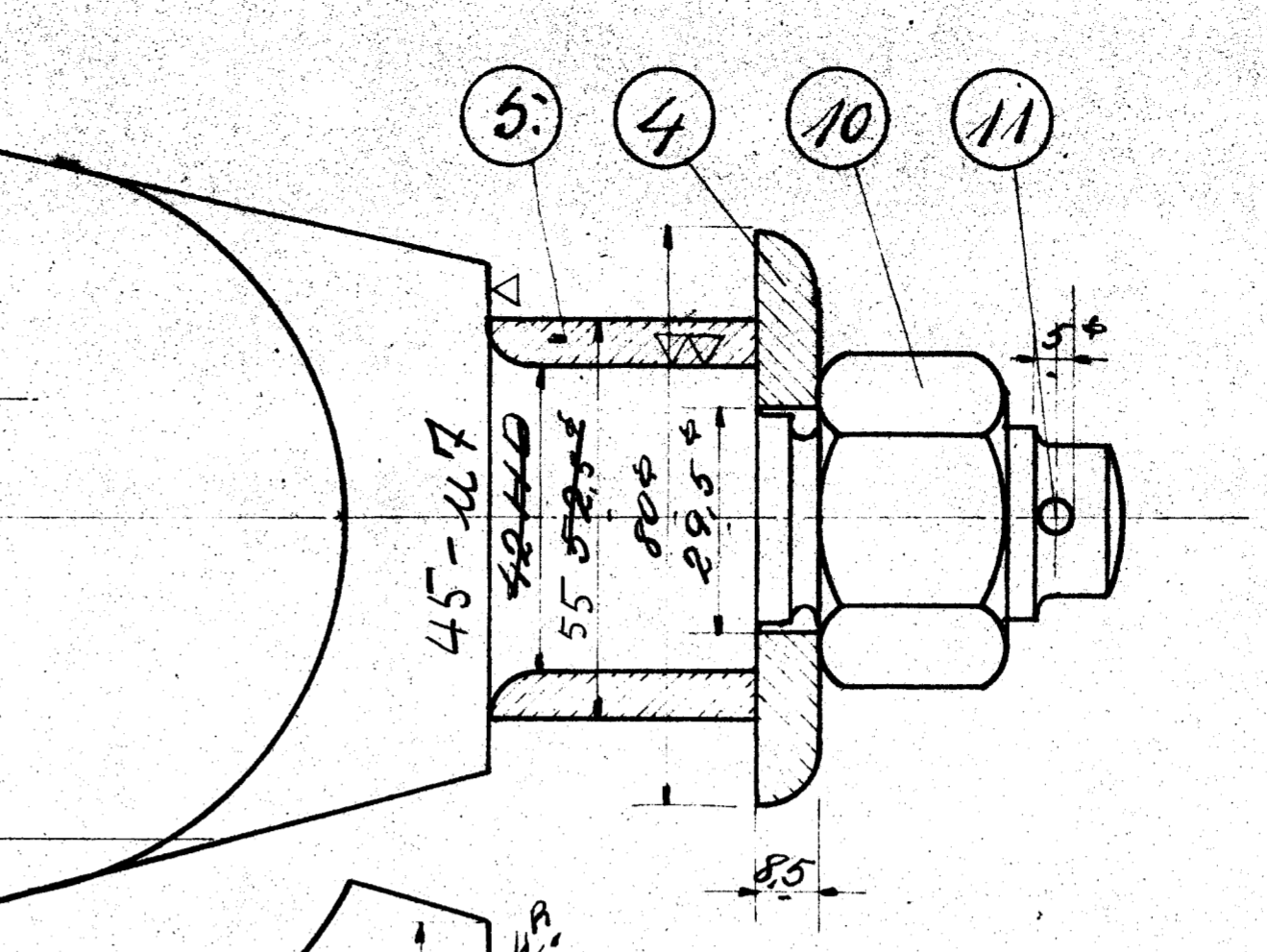
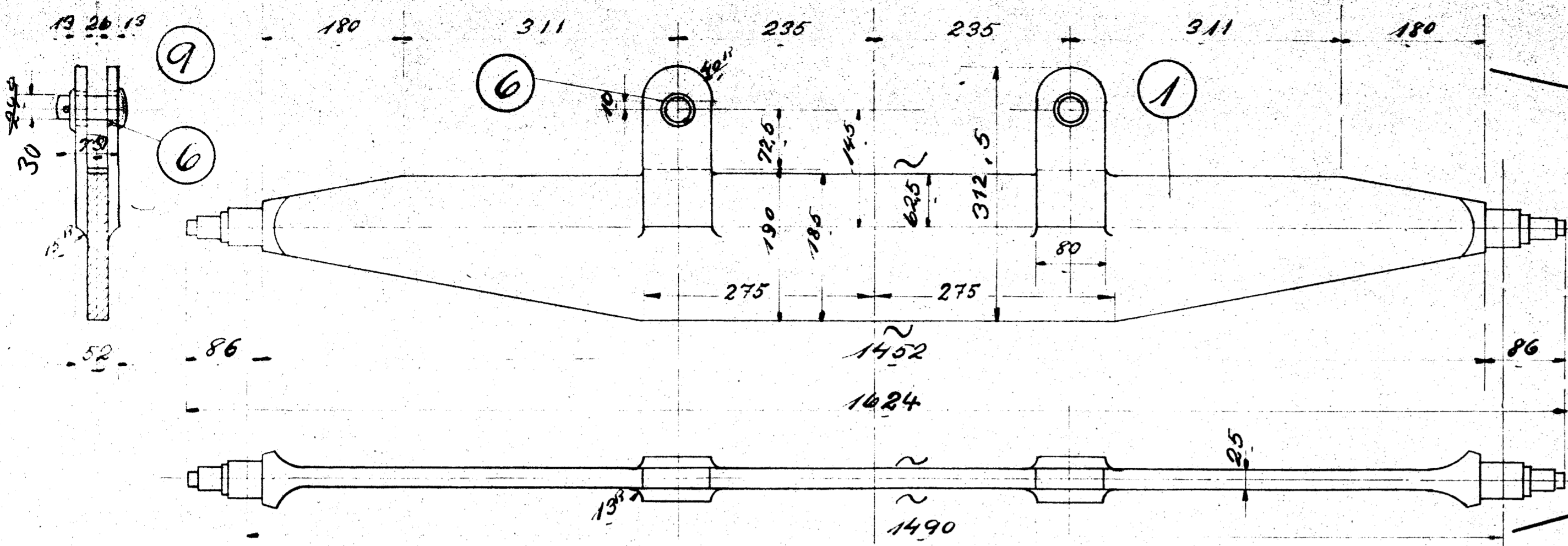


| STYKLISTE NO. 42387 |      | MATERIAL       | BEGRÆNSELSE  | MATERIAL | BEGRÆNSELSE | MATERIAL | BEGRÆNSELSE |
|---------------------|------|----------------|--------------|----------|-------------|----------|-------------|
| NR.                 | STK. |                |              |          |             |          |             |
| 1                   | 1    | Travers bagest | Flug         | 175.60   | 750         |          |             |
| 2                   | 1    | do. mellemst   | "            | 175.60   | 750         |          |             |
| 3                   | 1    | do. forr.      | "            | 175.60   | 750         |          |             |
| 4                   | 6    | Skiv           | 80° 295 x 85 | 8        | 280         |          |             |
| 5                   | 6    | Bøsning        | 45/55 x 38   | 24       | 242         | Mk 10    |             |
| 6                   | 8    | do.            | 30/40 x 12   |          |             |          |             |
| 7                   | 2    | do.            |              |          |             |          |             |
| 8                   | 1    | Splitbolt      | 35 x 80      | 29       | 41          | Mk 4     |             |
| 9                   | 4    | do.            | 30 x 75      |          |             | Mk 13    |             |
| 10                  | 6    | Møtrik         | 1"           |          |             | Ex. c.   |             |
| 11                  | 6    | Split          | 5 x 40       |          |             | Magasin  |             |
| 12                  | 10   | Arm.           |              |          |             | 83 x 13  | 2000        |



Loko lit. Qn indf.  
Bøsninger, splitbolte  
normaliserede "A" 1/4

Tegn. H/S Frichs  
Nr. 9L-22.230b  
1:1 Indr.  
1:5 Dato  
A  
Bremsetraverser.  
D-Tenderloko Litra Q<sub>2</sub> Q<sub>2</sub>  
Index: 6