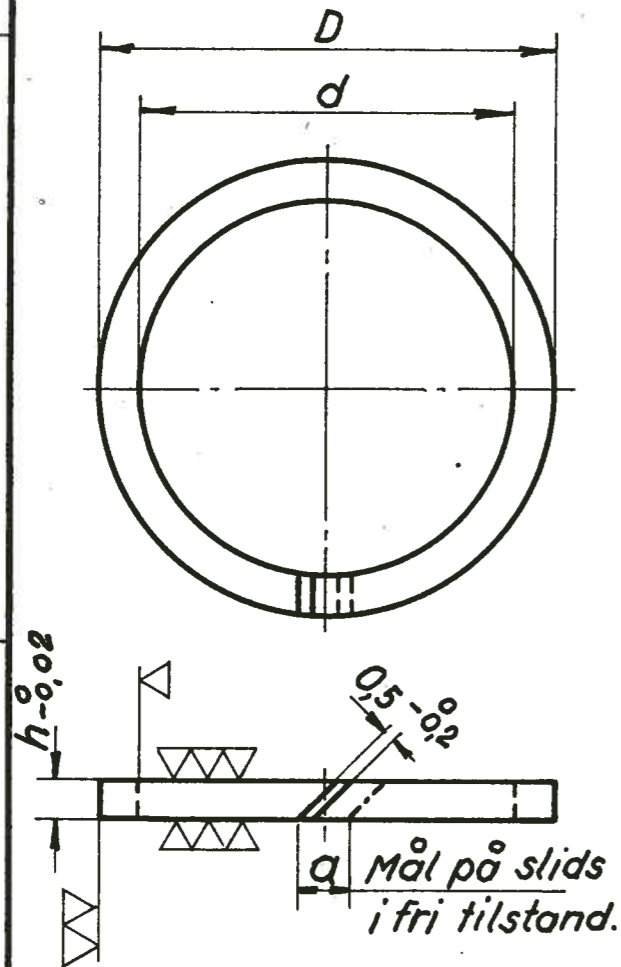


LON
DSB

Stempelringe for hjælpe- og hovedglider ved trykløftpumpe m.m.

22.565

1953
1959



Anvendes til:	D	d	h	a					Antal ringe	Mindstebeh.	
										Kh.	Ar.
Hjælpeglider ved Nielebock.	22,0	19,8	2,5						4		
Hjælpeglider, P-styring.	26,0	23,5	2,0	2					4		
Hjælpeglider, do.	32,0	29,0	2,0	3					2		
Hovedglider, store pumper, P-styr.	40,0	36,5	2,5	6					2		
Hovedglider, loko. ltr. E _I , T; gamle pump.	42,0	38,4	3,5						2		
Hovedglider, P-styring, små pumper.	48,0	44,0	2,5	5					6		
Hovedglider, Nielebock & Peters.	55,0	50,8	2,5						6		
Stempel, Knorr's smørepumper.	55,0	51,0	2,5	7,5					3		
Stempel, do. do.	56,0	52,0	2,5	7,5					3		
Hovedglider, P-styring, små pumper.	60,1	54,8	2,5	8					2		
Startventil.	60,1	54,9	3,0	8					1		
Hovedglider, loko. ltr. E _I , T; gamle pump.	64,5	59,3	4,0						2		
Hovedglider, P-styring; store pumper.	70,0	64,8	2,5	4					4		
Hovedglider, Nielebock.	78,0	73,8	3,0						4		

M 04565 / 59

Rekvissionsbetegnelse	Materiale	Mindstebeh.
Stempelring, LON 22.565 D x d.	Stempelr. gods	Se tabel

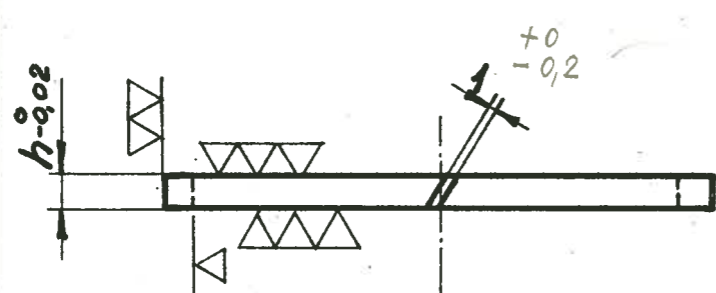
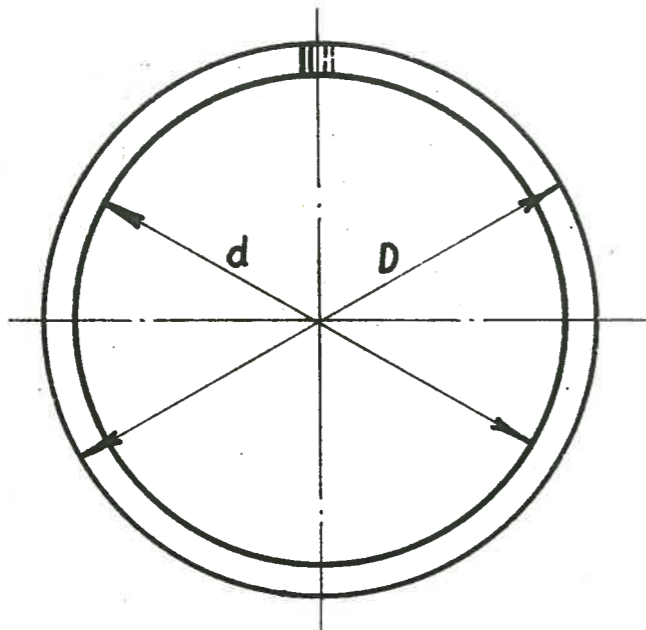
LON
DSB

Stempelringe for damp- og luftcy-
linder til to-trins og D.-C. pumpe.

22.566

M1115/52

1953



Anvendes til:	Antal pr. stempel.	D	d	h _I	h _{II}	h _{III}	Mindstebeh.						
							I	Kh	II	III	I	Ar.	II
To-trins-pumpe. HT-luft.	3	140,0	130,0	3,94	4,44	4,94	50	50	20	100			
do. do.	3	142,0	130,0	3,94			50			50			
To-trins-pumpe, HT-luft. Ltr. E _I , T.	2	160,0	145,0	5,94							15		
do. do. do.	2	161,5	147,5	5,94							20		
do. do. do.	2	163,0	149,0	5,94							20		
D.-C. pumpe. HT-luft.	3	165,0	151,0	4,94	5,44		100	100		100			
do. do.	3	166,5	152,5	4,94	5,44	5,94	50	50	50	50			
do. do.	3	168,0	154,0	4,94	5,44		50	50		50			
do. HT-damp	2	180,0	166,0	4,94	5,44		100	100		100			
To-trins-pumpe. do	5	180,0	168,5	3,94	4,44		100	100		250			
do. do.	2	181,0	167,0	3,94	4,44		50	50		50			
D.-C. pumpe. do.	2	181,5	167,5	4,94	5,44					50			
To-trins-pumpe. do	5	182,0	170,0	3,94	4,44		100	100		100			
D.-C. pumpe. do.	2	183,0	169,0	4,94	5,44	5,94	50	50	50	50			
To-trins-pumpe, HT-luft. Ltr. E _I , T.	2	205,0	189,0	5,94							15		
do. do. do.	2	206,5	190,5	5,94							20		
do. do. do.	2	208,0	192,0	5,94							20		
To-trins-pumpe LT-luft.	3	240,0	223,5	3,94	4,44		50	30		100			
do. do.	3	242,0	226,0	3,94			50			50			
do. LT-luft. Ltr. E _I , T.	2	270,0	251,0	5,94							15		
D.-C. pumpe. LT. luft.	3	270,0	255,0	4,94	5,44		50	50		75			
To-trins-pumpe. LT-luft. Ltr. E _I , T.	2	271,5	253,5	5,94							20		
D.-C. pumpe. LT-luft.	3	271,5	256,5	4,94	5,44		30	30		50			
To-trins-pumpe. LT-luft. Ltr. E _I , T.	2	273,0	255,0	5,94							20		
D.-C. pumpe. LT-luft.	3	273,0	258,0	4,94	5,44		30	30		50			
do. LT-damp	2	300,0	284,0	4,94	5,44		30	30		100			
do. do.	2	301,5	285,5	4,94	5,44		30	30		50			
do. do.	2	303,0	287,0	4,94	5,44		30	30		50			

Rekvisitionsbetegnelse	Materiale	Model nr	Mindstebeh.
Stempelring, LON 22.566, Dxdxh.	St.ringegods		Se tabel.